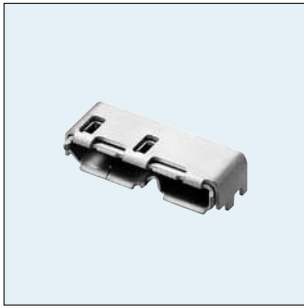


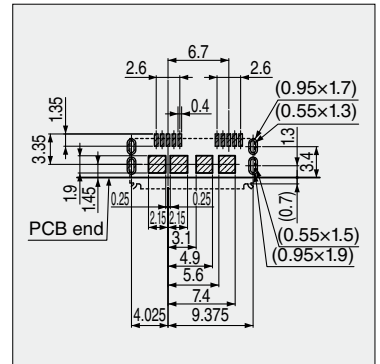
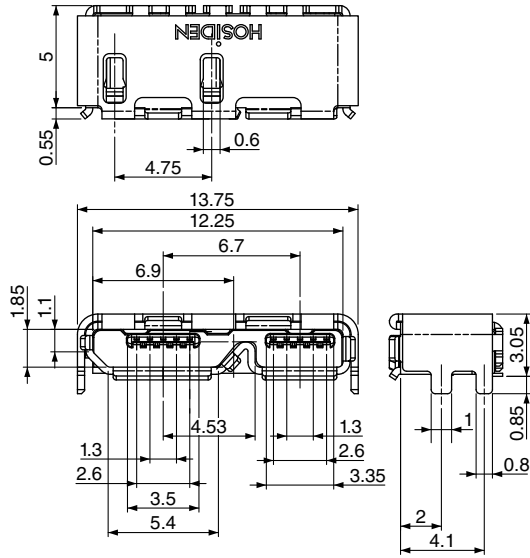
# CMS1821

# Micro-B Receptacle



**CMS1821-010010**

Rated	Power Line : 1.8A 30V AC Signal Line : 0.25A 30V AC
Contact Resistance	<ul style="list-style-type: none"> <li>• Power-Ground Initial : 30mΩ max.</li> <li>• Other Contacts Initial : 50mΩ max.</li> </ul>
Insulation Resistance	100MΩ min. at 100V DC
Withstanding Voltage	100V AC/1 minute
Insertion & Withdrawal Force	Insertion Force Initial : 35N max. Withdrawal Force Initial : 10N min.



PCB Layout  
(Top View)